

# LM2155 MD

Spare parts

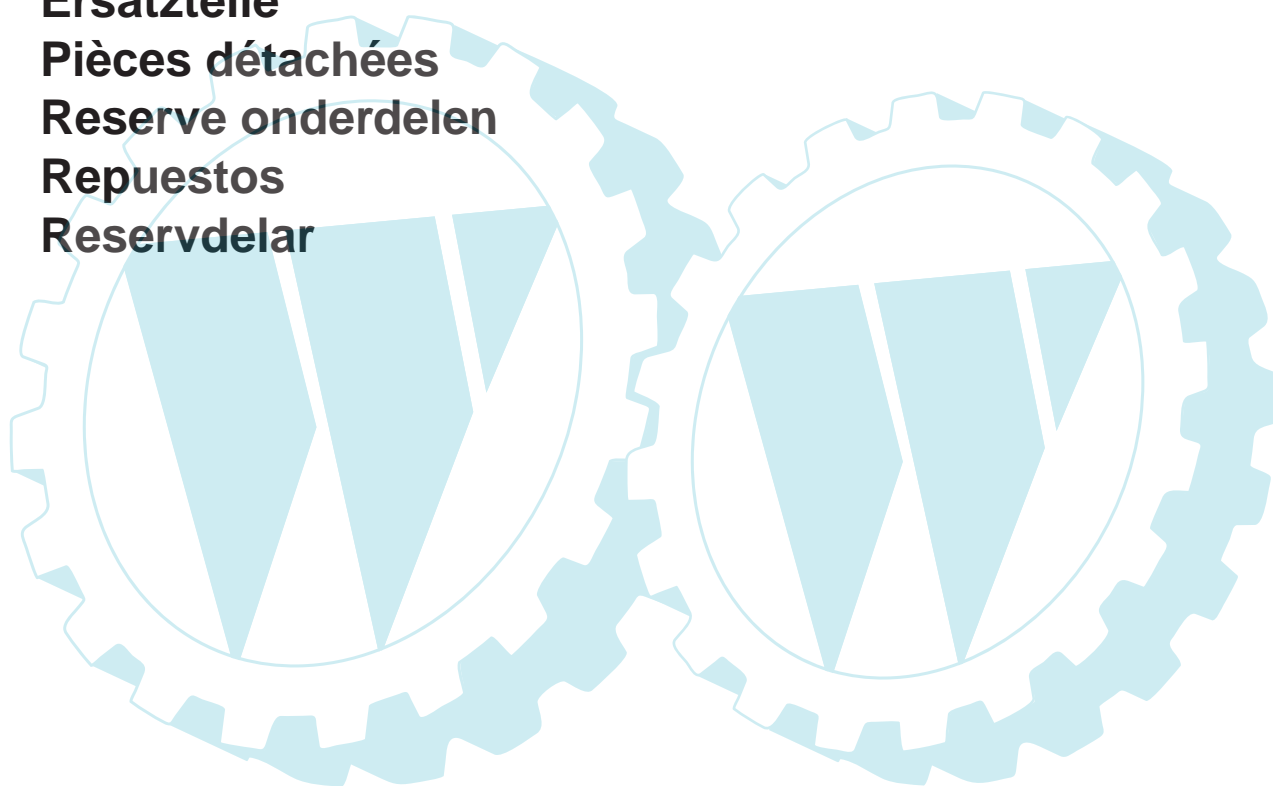
Ersatzteile

Pièces détachées

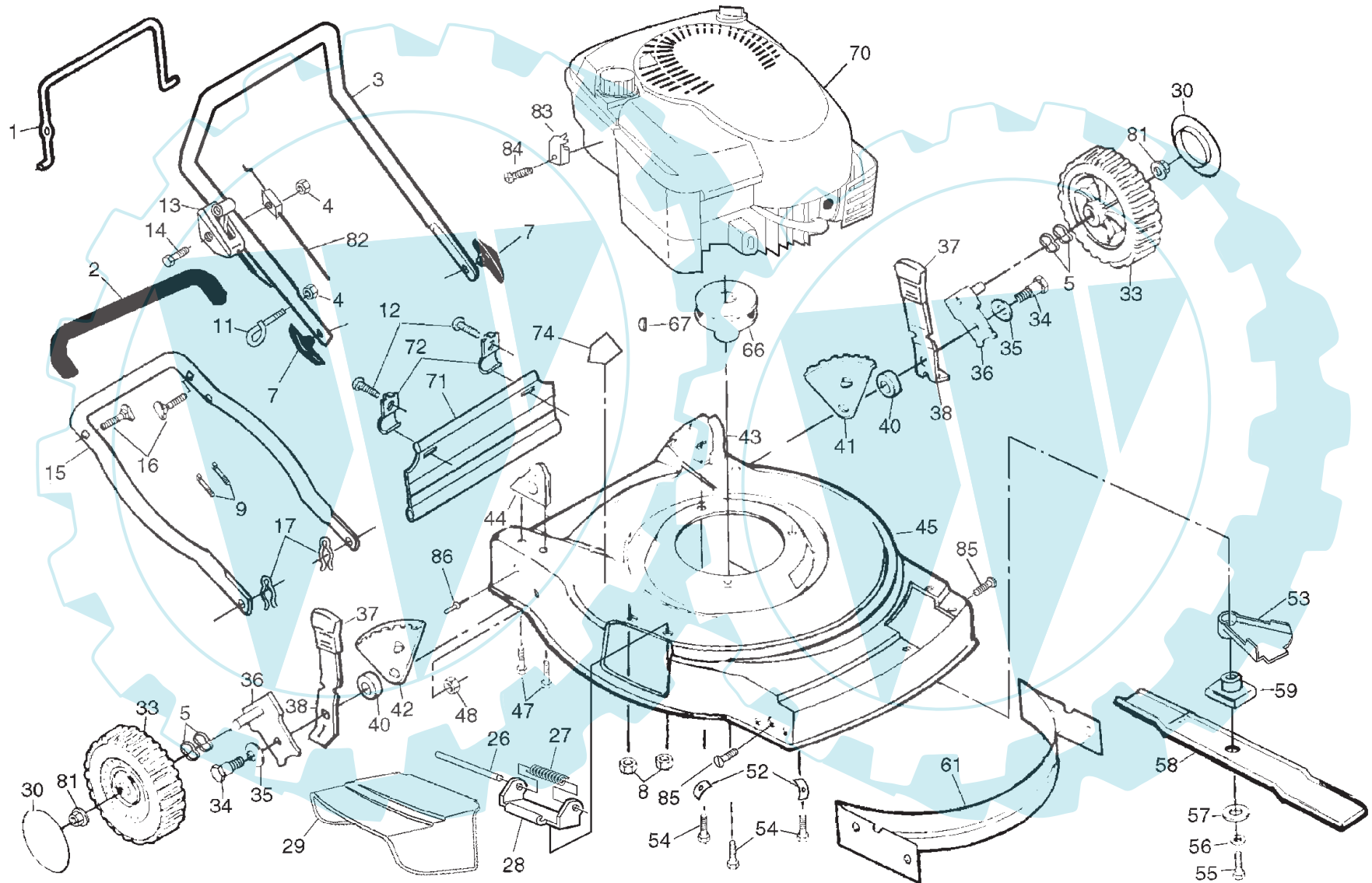
Reserve onderdelen

Repuestos

Reservdelar



# ROTARY LAWN MOWER - - MODEL NUMBER LM2155MD (JNA600SDC)



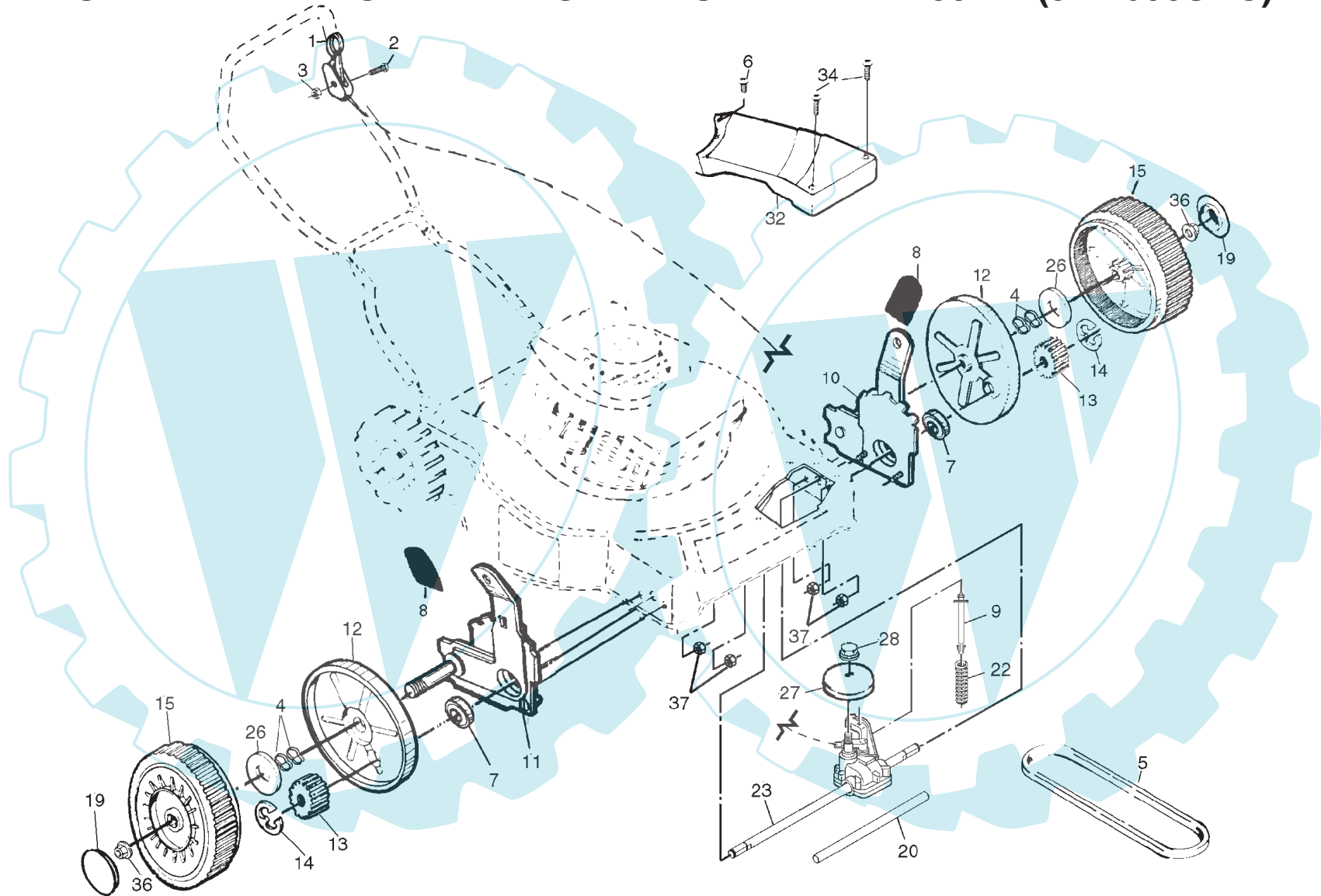
## ROTARY LAWN MOWER - - MODEL NUMBER LM2155MD (JNA600SDC)

KEY NO.	PART NO.	DESCRIPTION
1	532 14 57-94	Control Bar
2	532 16 42-65	Handle Grip
3	532 16 71-63	Upper Handle
4	532 13 20-04	Nut, Hex 1/4-20
5	532 05 71-43	Wave Washer
7	532 13 63-76	Handle Knob
8	<b>873 80 04-00</b>	Locknut 1/4-20
9	532 06 64-26	Wire Tie
11	532 17 95-85	Rope Guide
12	532 75 00-97	Screw
13	<b>532 18 21-57</b>	Throttle Control
14	532 14 49-29	Hex Washer Head Screw 1/4-20 x 2-1/8
15	532 15 36-05	Lower Handle
16	532 13 19-59	Handle Bolt 5/16-18 x 1-3/4
17	532 05 17-93	Hairpin Cotter
26	532 14 72-86	Hinge Rod
27	532 08 75-89	Torsion Spring
28	532 08 75-93	Housing Bracket Assembly
29	532 75 01-49	Discharge Guard
30	532 80 11-53	Hubcap
33	532 75 05-50	Wheel & Tire Assembly
34	532 14 27-48	Shoulder Bolt 3/8-16 x 1
35	532 06 23-35	Belleville Washer 1/2
36	532 15 12-54	Axle Arm Assembly
37	532 13 28-00	Selector Knob
38	532 12 52-59	Selector Spring
40	532 14 66-30	Spacer
41	532 13 43-40	Wheel Adjusting Bracket (L.R.)
42	532 13 43-41	Wheel Adjusting Bracket (R.R.)
43	532 17 09-77	Handle Bracket Assembly (Left)
44	532 17 09-75	Handle Bracket Assembly (Right)
45	532 17 68-33	Lawn Mower Housing (Incl. Ref. #74)

KEY NO.	PART NO.	DESCRIPTION
47	532 14 97-41	Self Tapping Screw 5/16-18 x 3/4
48	532 75 15-92	Locknut 3/8-16
52	532 12 50-78	Eng. Washer
53	532 18 20-02	Debris Shield
54	532 15 04-06	Hex Head Thread Rolling Screw 3/8-16 x 1
55	532 85 10-84	Hex Head Screw 3/8-24 x 1-3/8 Grade 8
56	532 85 02-63	Helical Lock Washer 3/8
57	532 85 10-74	Hardened Washer
58	532 85 09-73	22" Blade
59	532 85 15-14	Blade Adapter
61	532 17 00-31	Front Baffle
66	532 08 45-96	Engine Pulley
67	532 08 76-77	Hi-Pro Key #HP 505
70	- - -	Engine, Briggs & Stratton, Model No. 12H802 (Order parts from engine manufacturer)
71	532 14 05-40	Rear Skirt
72	532 12 52-07	Bracket
74	532 10 73-39	Warning Decal
81	532 08 39-23	Nut
82	532 14 92-93	Cable MZR
83	532 11 11-90	B & S Clamp
84	532 08 38-16	Screw
85	817 60 04-06	Flat Head Screw
86	532 12 84-15	Pop Rivet
--	532 12 53-81	Rear Baffle (not shown)
--	532 16 23-00	Warning Decal (not shown)
--	532 17 27-87	Operator's Manual, English
--	532 17 27-88	Operator's Manual, French
--	<b>532 18 69-31</b>	Replacement Parts Manual

**NOTE:** All component dimensions given in U.S. inches.  
1 inch = 25.4 mm

# ROTARY LAWN MOWER - - MODEL NUMBER LM2155MD (JNA600SDC)



## ROTARY LAWN MOWER - - MODEL NUMBER LM2155MD (JNA600SDC)

KEY NO.	PART NO.	DESCRIPTION
1	<b>532 18 45-88</b>	Dual Head Cable Control Assembly
2	532 15 87-55	Hex Washer Head Screw 1/4-20 x 2.12
3	532 75 11-52	Locknut
4	532 05 71-43	Wave Washer
5	532 14 65-27	V-Belt
6	532 75 00-97	Screw
7	<b>532 16 73-87</b>	Bearing, Wheel Adjuster
8	532 13 28-00	Selector Knob
9	532 15 04-95	Hex Head Bolt 1/4-20 x 2
10	532 15 24-65	Kit, Wheel Adjuster, LH (Includes Knob and Bearing)
11	532 15 24-63	Wheel Adjuster, RH (Includes Knob and Bearing)
12	532 18 05-04	Dust Cover
13	532 13 70-54	Pinion

KEY NO.	PART NO.	DESCRIPTION
14	812 00 00-58	E-Ring
15	532 18 07-59	Wheel & Tire Assembly
19	532 80 11-53	Hubcap
20	532 08 60-12	Drive Shaft Cover
22	532 13 70-90	Spring
23	<b>532 18 72-11</b>	Gear Case Assembly
26	532 06 77-25	Washer
27	532 13 70-52	Drive Pulley
28	532 13 20-10	Locknut
32	532 13 70-88	Drive Cover
34	532 14 60-72	Pan Head Tapping Screw #10-24 x 2-3/4
36	532 08 39-23	Flanged Locknut
37	<b>873 80 04-00</b>	Locknut 1/4-20

**NOTE:** All component dimensions given in U.S. inches.  
1 inch = 25.4 mm